

# D142

## Bronze Swing Check Valve

D142

PN32

### Features & Benefits

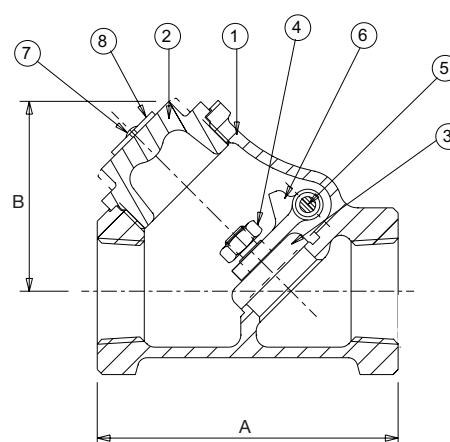
- Check valves permit flow in one direction only and close automatically if flow reverses
- D142 is a Bronze Swing Check Valve with disc seat at 45 Deg inclination to the flow path
- Conforms with BS EN12288:2010 and generally conforms with MSS SP 80.



### Materials

NO.	MATERIAL	SIZES
Body	Bronze BS EN 1982 CC491K	
Cap	Bronze BS EN 1982 CC491K	
Disc	Brass BS EN 12164 CW721R	1/4 - 3/4"
Disc	Bronze BS EN 1982 CC491K	1 - 3"
Hinge	Nut Brass BS 2874 CZ121	
Hinge	Pin/Plug DZR Brass BS EN 12164 CW602N	
Hinge	Bronze BS EN 1982 CC491K	
Drive Pin	Steel-Electro Brass	
ID Plate	Aluminium	

### Dimensional Drawing



### Dimensions & Weights

SIZE (inch)	WEIGHT (kg)	A (mm)	B (mm)
1/4	0.26	54	37
3/8	0.25	54	37
1/2	0.39	62	43
3/4	0.62	76	52
1	1.07	94	65
1 1/4	1.65	110	76
1 1/2	2.56	126	89
2	4.05	152	108
2 1/2	6.4	186	134
3	9.3	218	160

### Pressure/Temperature Ratings

TEMPERATURE (°C)	-10 to 120	260
PRESSURE (BAR)	32	14

Intermediate pressure ratings shall be determined by interpolation.

**PRESSURE RATING:** PN32

**TEMPERATURE OPERATING RANGE:** -10 to 260°C

**UK END CONNECTION:** BS 21 Taper

**US END CONNECTION:** ANSI B1.20.1

**OPERATOR:** Swing Check, Screwed in Cap. Can be mounted vertically as long as flow is upwards

**SPECIFICATION:** Bronze Swing Check Valve, Screwed Cap, in accordance with BS 5154:1991, PN32 rated. Valve Body, Cap and hinge to Bronze to BS EN 1982 CC491K. Bronze disc to CC491K up to 3/4" and Manganese Bronze disc 1" to 3".

**MSS SP80 CONFORMANCE:** D142 meets the essential requirements of the Standard such as pressure temperature rating, functional attributes, material of construction, wall thickness and thread depth. D142.AT complies with end connections as well.

The Valve is suitable for use in group 2 gases, group 1 and group 2 liquids, as defined by the Pressure Equipment Directive 2014/68/EU.\*

\* See page 159 for more information